

MAGNETIC TIP NUT DRIVERS

Hollow Shaft



**KLEIN
TOOLS®**

Magnetic Tip Nut Drivers – Hollow Shaft

KLEIN TOOLS
For Professionals... Since 1857®

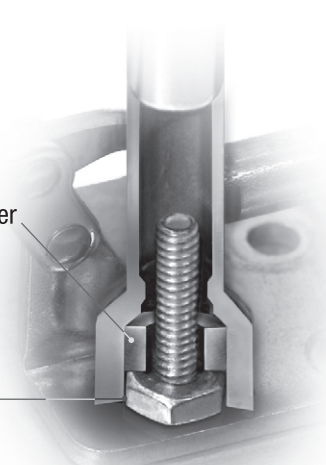
Rare Earth Magnetic Tip and Full Hollow Shaft Design... Performance For Professionals

Klein Tools has added eleven new drivers and two seven-piece sets to its line of hollow shaft magnetic nut drivers. The exclusive design of these tools combines rare earth magnets (which have extraordinary gripping power to securely hold fasteners in place) with the functionality of full hollow shafts. Bolts pass through the center of the donut-shaped magnet to reach the nut, allowing full engagement – even on long bolt applications. Cushion-grip handles provide superior torque and comfort, and the color coded Tip-Ident® feature makes finding the right size driver easy. With hex sizes ranging from 3/16" to 1/2", and a variety of shaft lengths (1-1/2" to 18"), there's a tool for every professional fastening job.

KLEIN® Magnetic Nut Drivers

Klein's exclusive hollow shaft* magnetic nut driver allows full engagement with the nut, even over long bolts.

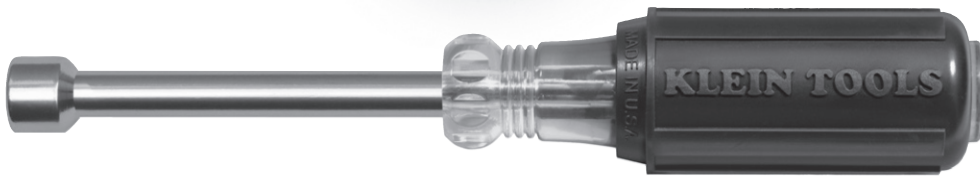
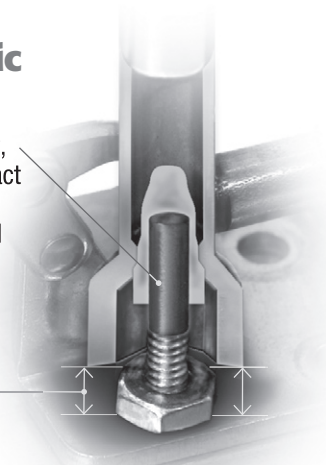
Fully engages
with fastener



Other Magnetic Nut Drivers

Magnet contacts the bolt, allowing little to no contact between the nut and the driver, even with minimal protruding threads.

Magnet prevents
engagement



630-3/8M

- Exclusive hollow shaft* design with Rare Earth magnetic tip features unobstructed pass-through, even on long bolts.
- Color-coded handle with Tip-Ident® quickly identifies nut driver size.
- Cushion-grip handle for greater torque and comfort.
- Internal flanges provide a solid, twist-resistant shaft anchor.
- Chrome-plated shaft helps prevent corrosion.

Ordering Information

Cat. No.	UPC No. 0-92644+	Hex Size	Color Code	Shank Length
610-1/4M	65135-9	1/4"	red	1-1/2" (38 mm)
610-5/16M	65136-6	5/16"	yellow	1-1/2" (38 mm)
NEW! 610-3/8M	65203-5	3/8"	blue	1-1/2" (38 mm)
610M**	65143-4	1/4" & 5/16"		1-1/2" (38 mm)
NEW! 630-3/16M*	65204-2	3/16"	black	3" (76 mm)
630-1/4M	65137-3	1/4"	red	3" (76 mm)
630-5/16M	65138-0	5/16"	yellow	3" (76 mm)
NEW! 630-11/32M	65205-9	11/32"	green	3" (76 mm)
NEW! 630-3/8M	65206-6	3/8"	blue	3" (76 mm)
NEW! 630-7/16M	65207-3	7/16"	brown	3" (76 mm)
NEW! 630-1/2M	65208-0	1/2"	red	3" (76 mm)
630M**	65144-1	1/4" & 5/16"		3" (76 mm)
NEW! 631M***	65214-1	3/16", 1/4", 5/16", 11/32", 3/8", 7/16", 1/2"		3" (76 mm)

Cat. No.	UPC No. 0-92644+	Hex Size	Color Code	Shank Length
NEW! 646-3/16M*	65209-7	3/16"	black	6" (152 mm)
646-1/4M	65139-7	1/4"	red	6" (152 mm)
646-5/16M	65140-3	5/16"	yellow	6" (152 mm)
NEW! 646-11/32M	65210-3	11/32"	green	6" (152 mm)
NEW! 646-3/8M	65211-0	3/8"	blue	6" (152 mm)
NEW! 646-7/16M	65212-7	7/16"	brown	6" (152 mm)
NEW! 646-1/2M	65213-4	1/2"	red	6" (152 mm)
646M**	65145-8	1/4" & 5/16"		6" (152 mm)
NEW! 647M***	65215-8	3/16", 1/4", 5/16", 11/32", 3/8", 7/16", 1/2"		6" (152 mm)
618-1/4M	65141-0	1/4"	red	18" (457 mm)
618-5/16M	65142-7	5/16"	yellow	18" (457 mm)

*3/16" magnetic nut driver does not have a hollow shaft.

**Two-piece set.

***Seven-piece set.

▲WARNING: Always wear approved eye protection.

▲WARNING: NOT insulated. Will NOT protect against electrical shock.

