

# Bent-Nose NM Romex® Strippers

**KLEIN-KURVE®**

*Angled nose design  
for easy work in  
confined spaces.*



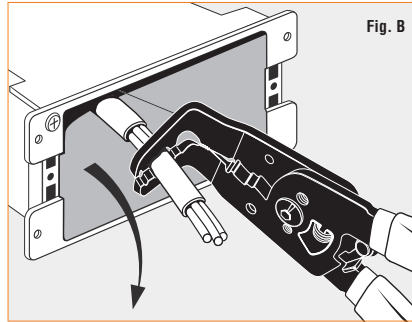
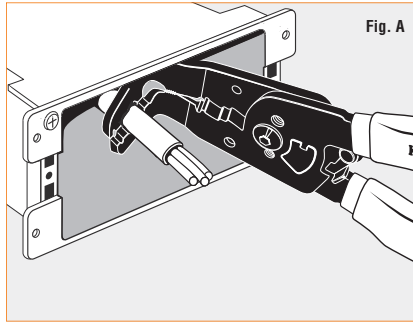
**KLEIN  
TOOLS®**

# Bent-Nose Strippers KLEIN-KURVE®



**Get Bent!** Klein Tools introduces three new versatile *Bent Nose* NM Romex® Strippers to the Klein Kurve® product line. To help get the job done with precision and quality, the exclusively designed 90° angled nose allows for easy work in confined spaces—eliminating the need to angle the tool, the wire, or your hand!

Professionals prefer Klein-Kurve® wire strippers featuring US-made tool steel, black oxide finish, precision ground stripping holes, shear type cutting blades, and Klein's exclusive comfort grip curved handles.



## HOW TO USE

### Strips Outer Jacket of 10/2, 12/2 or 14/2 Type NM Cable

Place cable in proper stripping slot, squeeze handles and rock tool from side to side, to completely sever outer jacket. (Fig. A)

Partially release handles.

Use the edge of one blade to slide the outer jacket from the remaining solid wire. (Fig. B)



- Patented 90° bent nose.
- Quickly removes outer jacket of Romex® Cable.
- Strips, cuts, and loops 10, 12 or 14 AWG solid wires.
- Cleanly shears 6-32 & 8-32 screws.
- Serrated nose bends, shapes, and pulls wire.
- Klein-Kurve® comfort grip handles.

Color coded handles for easy identification.



K90-12/2

Romex® is a registered trademark of Southwire Company.

Cat. No.	UPC No. 0-92644+	Handle Color	Overall Length	Strips and Cuts	Type NM Cable	Screw Shearing	Weight (lbs.)
<b>NEW!</b> K90-10/2	14132-4	yellow/orange	7-3/8" (187 mm)	10 AWG solid (4.0 mm)	10/2	6-32 and 8-32	.41
<b>NEW!</b> K90-12/2	14133-1	yellow/yellow	7-3/8" (187 mm)	12 AWG solid (2.5 mm <sup>2</sup> )	12/2	6-32 and 8-32	.41
<b>NEW!</b> K90-14/2	14134-8	yellow/white	7-3/8" (187 mm)	14 AWG solid (1.5 mm <sup>2</sup> )	14/2	6-32 and 8-32	.41

## QTR-TURN™ TECHNOLOGY



K1412-3



K1210



K1412

Cat. No.	UPC No. 0-92644+	Handle Color	Overall Length	Strips and Cuts	Type NM Cable	Screw Shearing	Weight (lbs.)
<b>NEW!</b> K1412-3	14135-5	yellow/blue	7-3/4" (197 mm)	12 & 14 AWG solid (2.5 mm <sup>2</sup> & 1.5 mm <sup>2</sup> )	12/3 & 14/3	6-32 and 8-32	.41
K1210	12100-5	yellow/orange	7-3/4" (197 mm)	10 & 12 AWG solid (4.0 mm <sup>2</sup> & 2.5 mm <sup>2</sup> )	10/2 & 12/2	6-32 and 8-32	.41
K1412	14124-9	yellow/white	7-3/4" (197 mm)	12 & 14 AWG solid (2.5 mm <sup>2</sup> & 1.5 mm <sup>2</sup> )	12/2 & 14/2	6-32 and 8-32	.41

QTR TURN™ is a trademark of Stride Tool Incorporated \*patent pending

All dimensions are in inches and (millimeters).

**⚠ WARNING:** NOT insulated. Plastic-dipped or slip-on plastic handles are NOT intended for protection against electrical shock.

**⚠ WARNING:** Always wear approved eye protection.

**⚠ WARNING:** Never use on or near live electrical circuits.