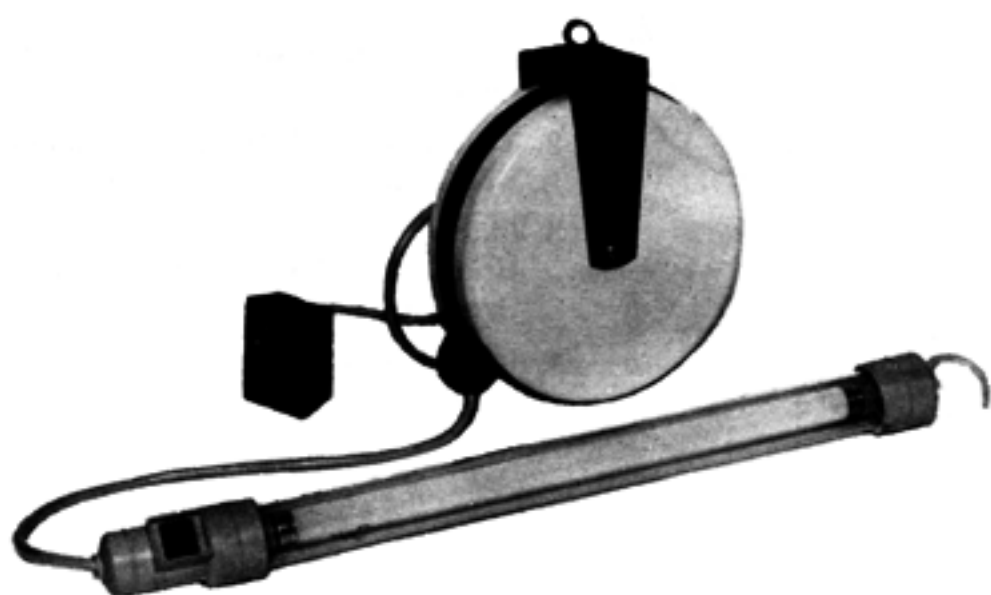


*Cordomatic®*

**RETRACTABLE  
FLUORESCENT  
UTILITY LIGHT**



**Instruction  
Manual**

## RELAMPING INSTRUCTION (Fig. 2)

1. Remove power supply plug from outlet.
  2. Remove Phillips head screw (A), from hook end of light, separate end cap halves (B), and hook (C), as shown in Fig. 2. Grasp white nylon socket (D) and pull outwards. Remove lamp and replace (E), with Fluorescent lamp for your model (see below). Pull slack wire (F), that may be along the lamp, through cord guide (G), into end cap. The side hanging hooks may now be slid over the outer shield if you desire.
- \*\* Warning:** When relamping, white wire (H), must be positioned free of connecting posts (I), during reassembly, to avoid crimping wire.

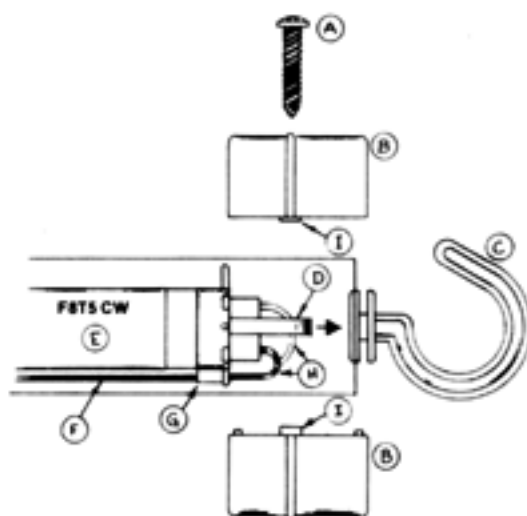


FIGURE 2

## REPLACEMENT LAMPS

1. 15 watt Model — F15T8-CW
2. 8 watt Model — F8T5-CW

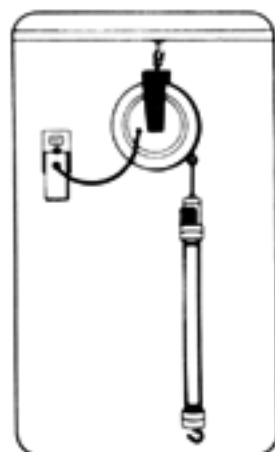
## MAINTENANCE — it's simple to keep your Cord Reel and Fluorescent Utility Light clean and smooth operating.

1. Remove dirt and grime as soon as it accumulated on reel case and fluorescent lamp housing. Just wipe clean with dampened rag.
2. Clean fluorescent lamp housing whenever dirty. This will give you maximum light reflection at all time.
3. Keep Cord clean to assure smoothest automatic retraction. Simple pull cord to its full length and allow to retract through a dampened rag. Pull out full length again sprinkled with talcum powder.
4. DO NOT USE solvents such as: gasoline, turpentine, etc. on lamp housing.

## ELECTRICAL RATING

1. 8 watt Lamp — 0.158 AMP
2. 15 watt Lamp — 0.305 AMP

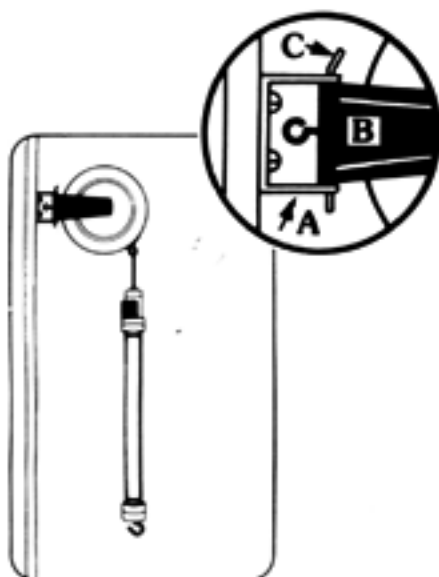
# THE CARE AND OPERATION OF YOUR NEW FLUORESCENT REEL LIGHT



## INSTALLATION

### Ceiling Mount – 360° Rotation

1. Select location within 2 feet of an electrical outlet.
2. Screw the Hanger Hook into the ceiling.
3. Hang Reel on Hook.
4. Close Hook with pliers to prevent Reel from Coming off.
5. Adjust Cord Stop so light or outlet hangs at desired length when cord is retracted.



### Optional Wall Mount – 180° Rotation

1. Select location within 2 feet of an electrical outlet.
2. Take U shaped Bracket "A" and attach to wall with the screw provided.
3. Place Hanger Bracket "B" inside U shaped Bracket "A" lining up small hole in the Brackets.
4. Insert Locking Pin "C" through lined up holes.

## OPERATING INSTRUCTIONS

1. Connect power supply to a grounded 3-conductor 118 volt outlet.
2. Press top of switch firmly and hold for 1 to 2 seconds, then release, this will start the lamp. To turn off, depress switch at the bottom.
3. To operate Reel pull cord out to desired length and stop. If cord does not hold, continue to pull cord slowly, stopping every four inches. This will engage lock. To retract pull cord out 2 to 4 inches and guide the cord slowly back into the reel.

### **FULL SIX MONTH WARRANTY**

These products are warranted against defects in materials and workmanship for six (6) months from date of purchase. During this warranty period these products will be repaired or replaced at Cordomatic's option at no cost to you.

This warranty does not apply if the product is repaired by unauthorized persons or has been improperly mounted, abused, mishandled or operated at a voltage and amperage exceeding that shown on the name plate or instruction panel.

If service becomes necessary return the complete unit prepaid to Vaco Products Repair Dept., 24500 Solon Road, Bedford Heights, OH 44146, indicating the malfunction.

*Cordomatic Reels*

THE FIRST NAME IN CORD CONTROL REELS

**Made in U.S.A.**