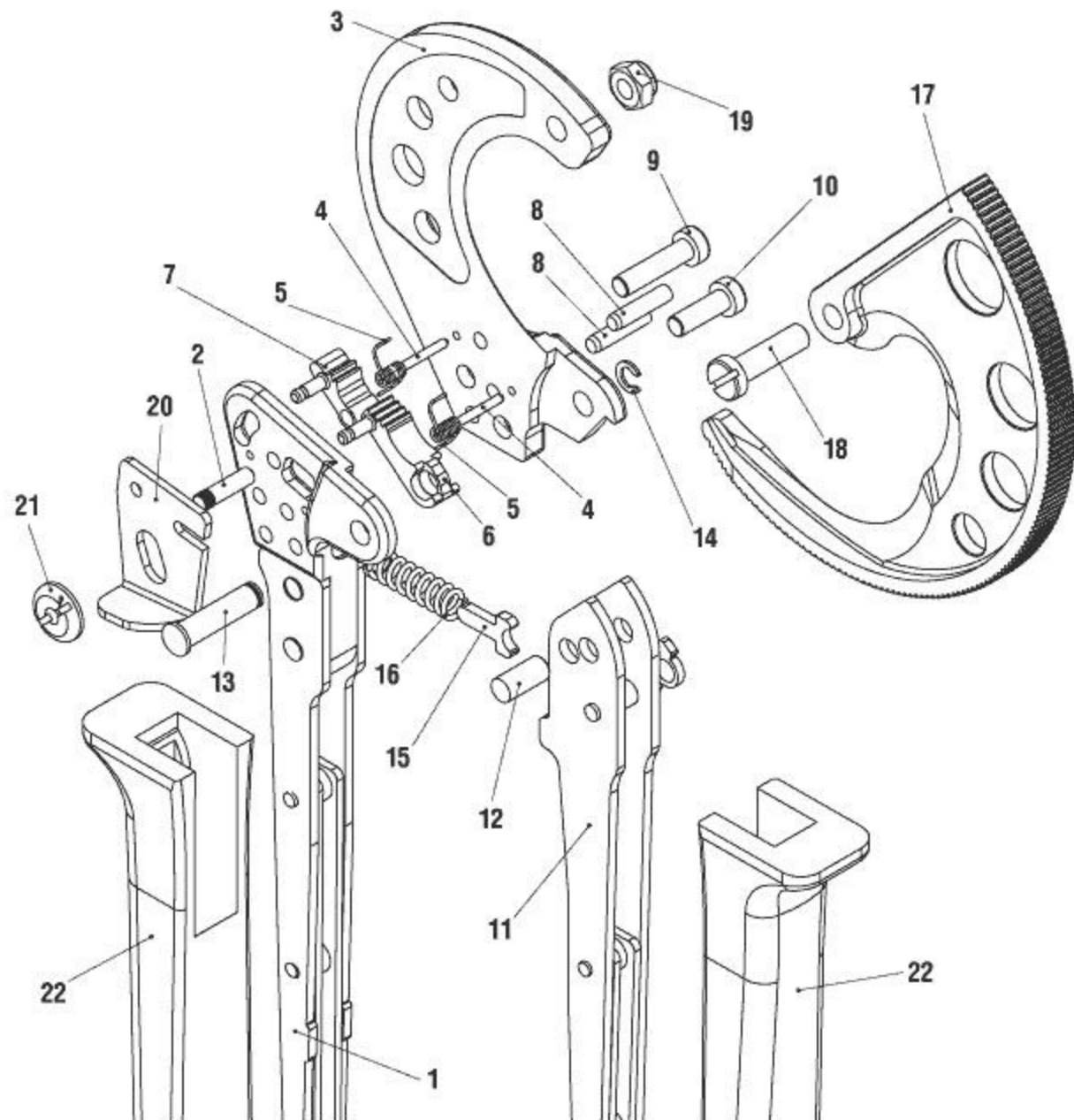


## REPLACEMENT PART KITS FOR RATCHETING CABLE CUTTER 63750



Catalog No.	Replacement Part Kits	Parts Breakout Illus. No.
<b>63751</b>	<b>Moving Blade Set</b>	
	Moveable cutting blade	17
	Fulcrum cutter screw	18
	Lock nut for fulcrum cutter screw	19
<b>63752</b>	<b>Fixed Blade Set</b>	
	Fixed cutting blade	3
	Two grooved fasteners	8
	Two hex socket screws	9 & 10
	Moveable handle pivot pin	13
	Snap ring	14
<b>63753</b>	<b>Ratchet Pawl Set</b>	
	Grooved fastener for stopper pawl	2
	Large ratchet pawl	6
	Small ratchet pawl	7
	Pivot cylinder for main ratchet pawl	12
<b>63754</b>	<b>Moving Handle Set</b>	
	Moveable top handle assembly	11 & 22
	Pivot cylinder for main ratchet pawl	12
	Moveable handle pivot pin	13
	Snap ring	14
<b>63755</b>	<b>Fixed Handle Set</b>	
	Fixed bottom handle assembly	1 & 22
	Grooved fastener for stopper pawl	2
	Moveable handle pivot pin	13
	Snap ring	14
<b>63756</b>	<b>Ratchet Release Plate Set</b>	
	Two hex socket screws for fixed blade	9 & 10
	Ratchet release plate	20
	Slotted nut	21
<b>63757</b>	<b>Body Spring &amp; Guide Set</b>	
	Main body spring guide	15
	Main body spring	16