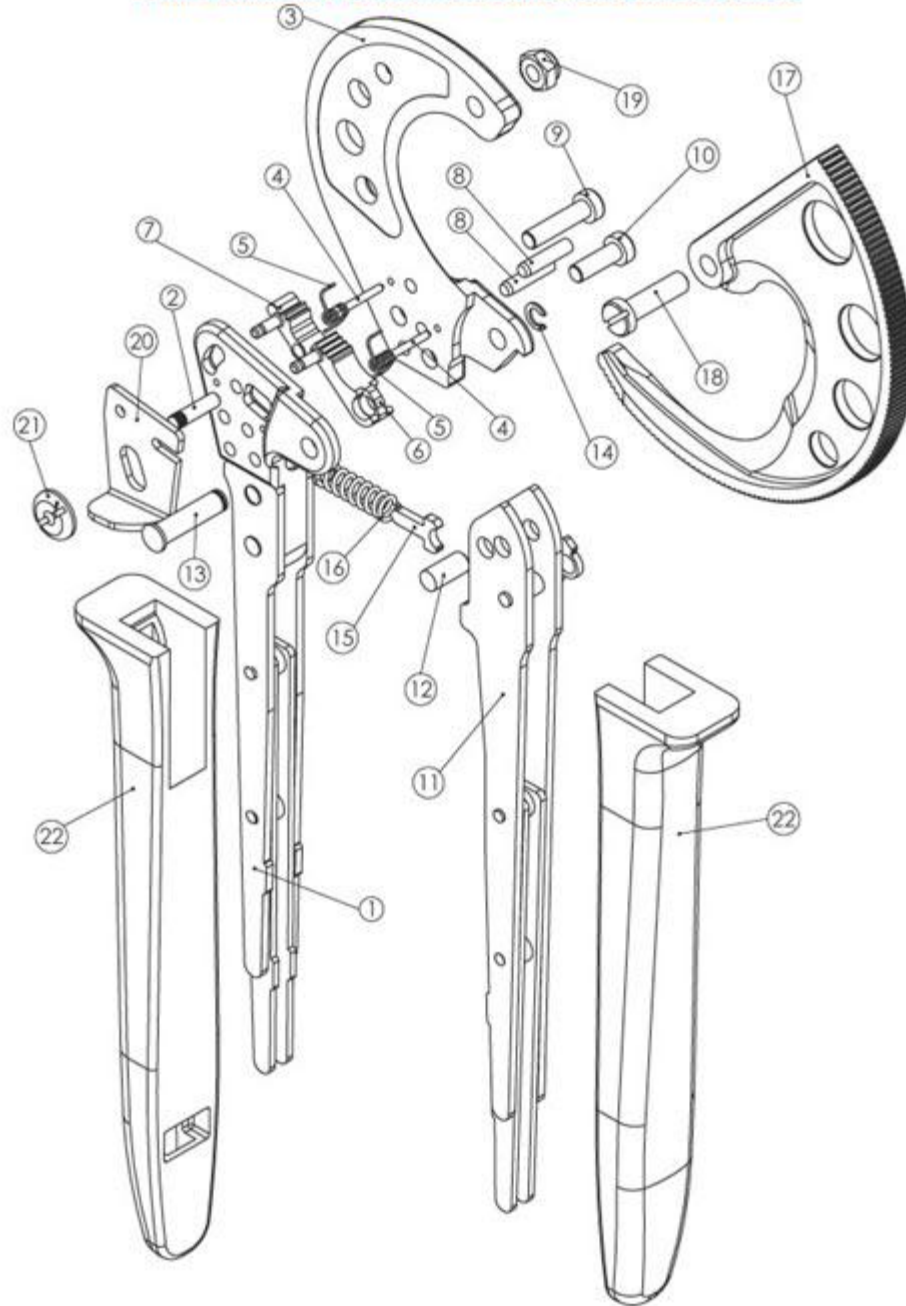


PARTS BREAKOUT FOR RATCHETING CABLE CUTTER 63750



| Illus. No. | Description | Illus. No. | Description |
|-------------------|--|-------------------|---|
| 1 & 22 | Fixed bottom handle assembly | 12 | Pivot cylinder for main ratchet pawl |
| 2 | Grooved fastener for stopper pawl | 13 | Moveable handle pivot pin |
| 3 | Fixed cutting blade | 14 | Snap ring for moveable handle pivot pin |
| 4 | Two spring pins for fixed blade | 15 | Main body spring guide |
| 5 | Two small ratchet springs | 16 | Main body spring |
| 6 | Large ratchet pawl | 17 | Moveable cutting blade |
| 7 | Small stopper pawl | 18 | Fulcrum cutter screw |
| 8 | Two Grooved fasteners for fixed blade body | 19 | Lock nut for fulcrum cutter screw |
| 9 & 10 | Two hex socket screws for fixed blade | 20 | Ratchet release plate |
| 11 & 22 | Moveable top handle assembly | 21 | Slotted nut |