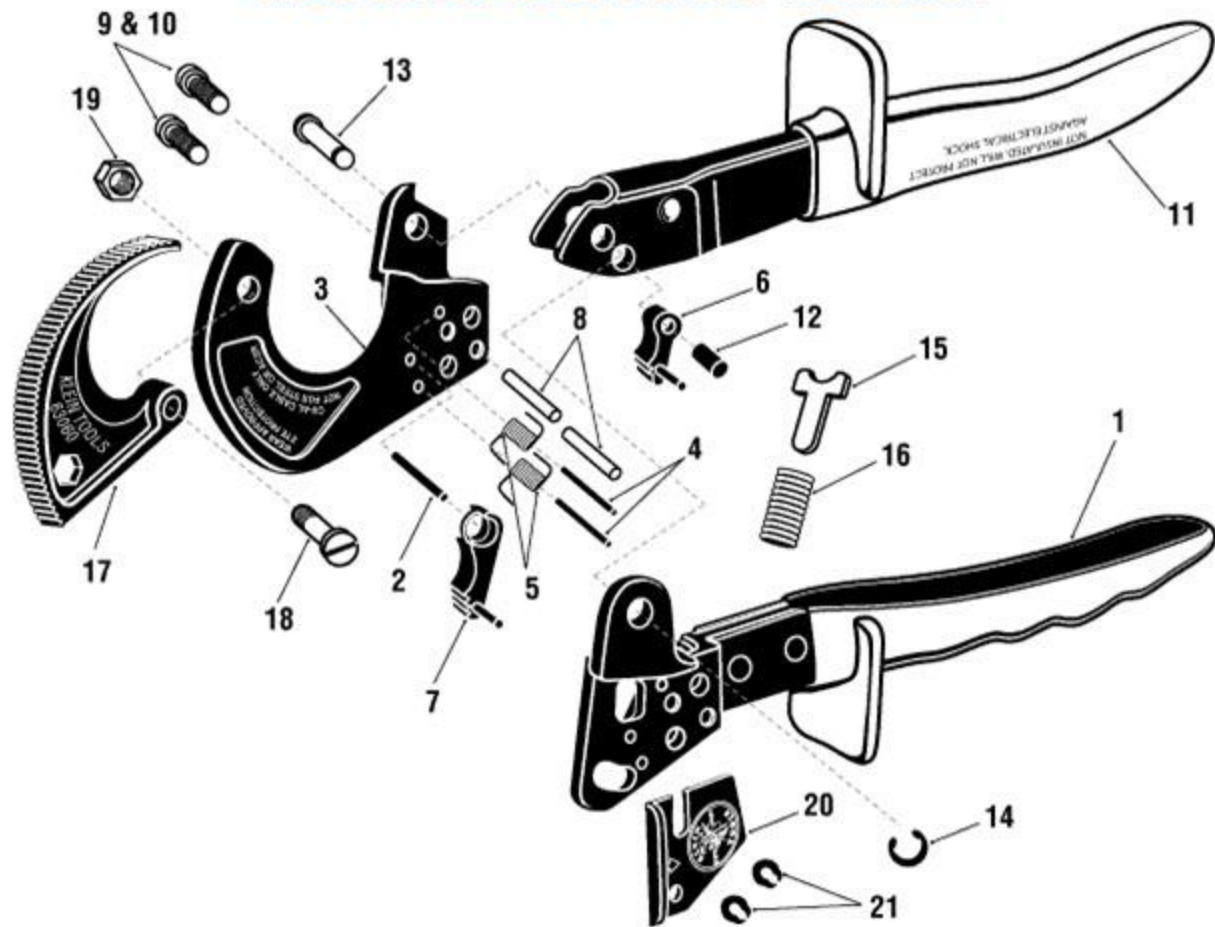


**REPLACEMENT PART KITS FOR RATCHETING  
CABLE CUTTER 63060 ONE-STEP MECHANISM**



<b>Catalog No.</b>	<b>Replacement Part Kits</b>	<b>Parts Breakout Illus. No.</b>
<b>63361</b>	<b>Body Spring &amp; Guide Set</b>	
	Main body spring guide	15
	Main body spring	16
<b>63364</b>	<b>Moving Blade Set</b>	
	Moveable cutting blade	17
	Fulcrum cutter screw	18
	lock nut for fulcrum cutter screw	19
<b>63365</b>	<b>Fixed Blade Set</b>	
	Fixed cutting blade	3
	Two grooved fasteners	8
	Two hex socket screws	9
	Moveable handle pivot pin	13
	Snap ring	14
<b>63366</b>	<b>Ratchet Pawl Set</b>	
	Grooved fastener for stopper pawl	2
	2 Springs	5
	Small ratchet pawl	6
	Large ratchet pawl	7
	Pivot cylinder for main ratchet pawl	12
<b>63367</b>	<b>Moving Handle Set</b>	
	Moveable top handle assembly	11
	Pivot cylinder for main ratchet pawl	12
	Moveable handle pivot pin	13
	Snap ring	14
<b>63368</b>	<b>Fixed Handle Set</b>	
	Fixed bottom handle assembly	1
	Grooved fastener for stopper pawl	2
	Moveable handle pivot pin	13
	Snap ring	14
<b>63369</b>	<b>Ratchet Release Plate Set</b>	
	Two hex socket screws for fixed blade	9
	Ratchet release plate	20
	Slotted nut	21