

OCCUPATIONAL PROTECTIVE EQUIPMENT

LINEMAN'S CLIMBING EQUIPMENT



Climbing with you since the 1800's ...

**KLEIN
TOOLS®**

LINEMAN'S CLIMBING EQUIPMENT

On-the-job safety is critical, and Klein Tools has the lineman's occupational protective equipment that meets or exceeds applicable OSHA, ASTM, and CSA standards. Our lineman's climbing equipment is designed to provide you with the options you demand along with the comfort and long-lasting quality you depend on. For comfort, choice, and quality, Klein Tools has the lineman's climbing equipment you need.

Body Belts

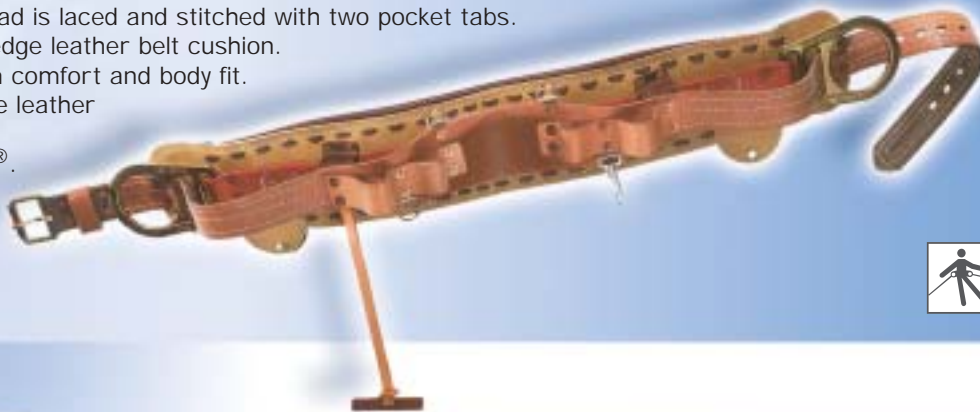
Full-Floating Body Belts

Common features:

- Long-lasting 1-1/2" (38 mm) wide double-riveted leather tool loops.
- Standard accessories include: glove-bag ring, two-way knife snap, four suspender rings, and tape thong.

Deluxe Full-Floating Belt Style No. 5278N

- Latigo-leather body pad is laced and stitched with two pocket tabs.
- 5" (127 mm) rolled-edge leather belt cushion.
- Padded for maximum comfort and body fit.
- 1-3/4" (44 mm) wide leather belt strap reinforced with 4-ply Klein-Kord®.
- Full-floating trace with 30° double-bar D-rings.



Standard-Plus Full-Floating Belt Style No. 5249N

- Leather belt pad with two pocket tabs.
- Latigo-leather hood prevents placing tools between belt pad and D-ring web straps.
- 5" (127 mm) rolled-edge leather belt cushion.
- Padded for maximum comfort and body fit.
- 1-3/4" (44 mm) wide belt strap made of 6-ply Klein-Kord.
- Full-floating trace with 30° double-bar D-rings.



Standard Full-Floating Belt Style No. 5282N

- Klein-Kord belt pad with two pocket tabs.
- 5" (127 mm) rolled-edge leather belt cushion.
- Padded for maximum comfort and body fit.
- 1-3/4" (44 mm) wide belt strap made of 6-ply Klein-Kord.
- Full-floating trace with 30° double-bar D-rings.



Semi-Floating Body Belt

Semi-Floating Belt Style No. 5266N

- Klein-Kord belt pad with two pocket tabs.
- 4-3/4" (120.6 mm) rolled-edge leather belt cushion.
- Padded for maximum comfort and body fit.
- 1-3/4" (44 mm) wide belt strap made of 6-ply Klein-Kord.
- Equipped with 30° double-bar D-rings.
- Hand-line clip.



Fixed Body Belt

Fixed Belt Style No. 5268N

- Klein-Kord belt pad with two pocket tabs.
- 4-3/4" (120.6 mm) rolled-edge leather belt cushion with no padding.
- 1-3/4" (44 mm) wide belt strap made of 6-ply Klein-Kord.
- Equipped with 90° double-bar D-rings.



Klein-Kord® is neoprene coated nylon material that is abrasion-resistant, non-conductive, virtually free from stretch, and flexible for ease of use and durability.

Klein Lineman's Body Belt Styles

Full-Floating Belts:

- Allow 4" (102 mm) lateral movement of the D-rings during use.
- D-rings easily adjust to lineman's positioning changes on the pole. As a result, the pole strap slides against the pole less frequently, and the strap wear is reduced.
- Any load or pull on the D-rings cannot bind tools in the tool loops.
- Do not allow lateral movement of the belt strap with the tool loops.

Semi-Floating Belt:

- Allows lateral movement of the belt strap with the tool loops prior to wearing the body belt.
- Any load or pull on the D-rings cannot bind tools in the tool loops.
- Does not allow lateral movement of the D-rings.

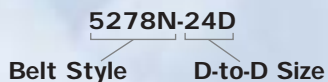
Fixed Belt:

- Does not allow lateral movement of the D-rings or belt strap with the tool loops.

LINEMAN'S CLIMBING EQUIPMENT

Body Belt Ordering Procedure

The catalog number used to order a Lineman's Body Belt is made up of specific parts. Each part of the number refers to a component or component size. The following is a typical example of a catalog number: 5278N-24D



Use the following ordering procedure to properly identify and select each component in order to create a catalog number for your Lineman's Body Belt.

1. Know the job and regulations governing performance requirements for the equipment needed.

2. Select the belt style. Klein lineman's body belts are available in a choice of full-floating, semi-floating and fixed styles, and features the choice of belt pad size. All Klein lineman's body belts have chrome-tanned leather cushions for greater comfort. Full-floating belts allow lateral movement of the D-rings during use. Semi-floating belts only allow lateral movement prior to wearing. Fixed-style belts allow no lateral movement of the D-rings.

3. Select the proper belt size. The comfort of a lineman's belt depends on the construction of the belt and the location of the D-rings. The D-rings should be located about 1" (25 mm) in front of the hip bones.

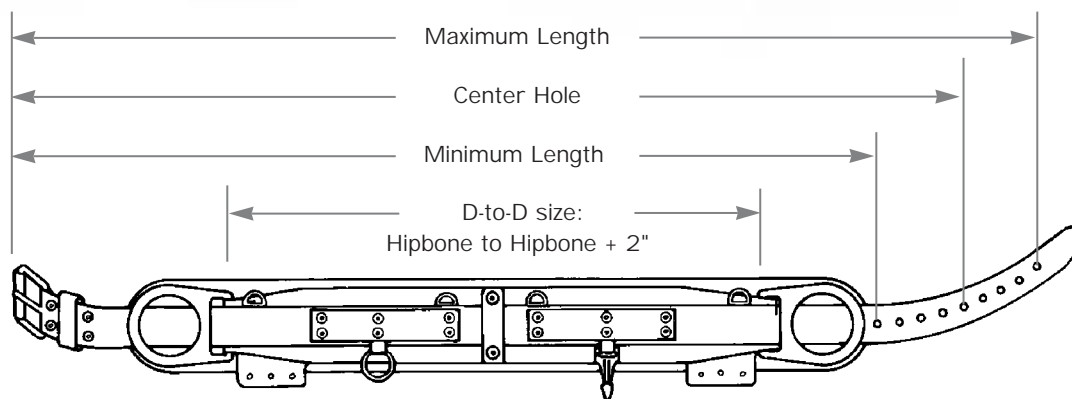
Never order Klein lineman's body belts by waist size. Always order Klein lineman's body belts by the desired distance between D-rings.



Figure 1

Size your body belt using a tape measure (Figure 1). To obtain the correct D-to-D (D-ring to D-ring) size, measure from hipbone to hipbone (pants side-seam to side-seam), and then add 2" (51 mm).

The Lineman's Belt Sizing Table (shown below) contains more information on selecting the proper belt size. For non-standard sizes, please call the Klein Tools Sales Department at 1-800-553-4676.



Lineman's Belt Sizing Table*

D-to-D Distance**	18D	20D	21D	22D	23D	24D	26D	28D	30D
Minimum Length	32 (81)	34 (86)	36 (91)	37 (94)	38 (97)	40 (102)	42 (107)	45 (114)	47 (119)
Center Hole Distance	36 (91)	38 (97)	40 (102)	41 (104)	42 (107)	44 (112)	46 (117)	49 (124)	51 (130)
Maximum Length	40 (102)	42 (107)	44 (112)	45 (114)	46 (117)	48 (122)	50 (127)	53 (135)	55 (140)

* All measurements are listed in inches and (cm). This table shows the maximum and minimum lengths and center-hole distances for the full range of standard D-to-D measurements. A belt sized for the proper D-to-D size will fit correctly with buckle tongue engaged in the center hole.

** The following non-standard D-to-D sizes can be special ordered: 19D (48 cm), 25D (64 cm), 27D (69 cm), and 29D (74 cm).

Positioning Straps

- Adjustable straps are 1-3/4" (44 mm) wide.
- Made of 6-ply Klein-Kord for maximum wear, and chemical resistance.
- Forged single tongue adjustment buckle.
- Two permanently attached, drop-forged steel, double-locking Klein-Lok® snap hooks with 11/16" (17 mm) throat opening.
- D-rings and tongue buckles are made of drop-forged steel with corrosion-resistant finish.
- Red wear indicator located in the center.

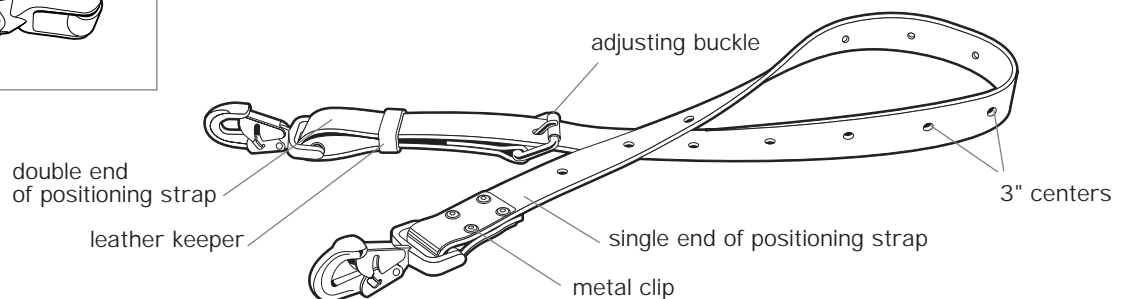
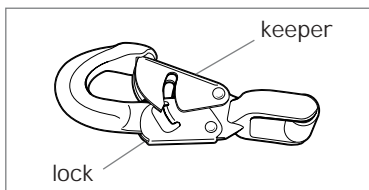


Ordering Positioning Straps

Depending on your application, choose a positioning strap that allows you to work at arms' length from the pole you'll be working on.

Lineman's Positioning Straps are adjustable and available in five sizes. For more information, see the following chart:

Catalog Number	Maximum Length	Minimum Length	Adjustable Range
KL5295-L	5'8" (1.7 m)	3'10" (1.17 m)	1'10" (0.5 m)
KL5295-6L	6' (1.8 m)	4' (1.2 m)	2' (0.6 m)
KL5295-6-6L	6'6" (2.0 m)	4'3" (1.3 m)	2'3" (0.7 m)
KL5295-7L	7' (2.1 m)	4'6" (1.35 m)	2'6" (0.8 m)
KL5295-8L	8' (2.4 m)	5'6" (1.7 m)	2'6" (0.8 m)



LINEMAN'S CLIMBING EQUIPMENT

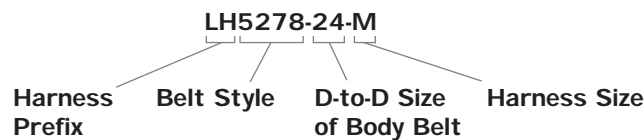
Harness

- The Lineman's Harness is a fall-arrest harness permanently attached to a body belt (choose one of the five body belts listed in this brochure).
- Features include:
 - Tough 1-3/4" (44 mm) Type 13 nylon webbing.
 - Convenient detachable, synthetic lamb's wool shoulder pads.
 - Easy-connect chest, shoulder, and leg buckles.
 - Adjustable D-ring at back with roller.
- This is a special order item.



Harness Ordering Procedure

The catalog number used to order a Lineman's Harness is made up of specific parts. Each part of the number refers to a component or component size. The following is a typical example of a catalog number: LH5278-24-M



In addition to the body belt ordering procedure to determine D-to-D Size, use the following guidelines to properly identify and select the Lineman's Harness catalog number.

Selecting the Proper Harness Size. Harnesses are available in standard sizes of medium or large. The D-to-D size for your belt normally determines the harness size (see below). If a different size is needed, alter this part of the catalog number. If you need a non-standard size harness, please call the Klein Tools Sales Department at 1-800-553-4676.

D-to-D Size	Harness Size
Up to 26 inches (6.6 cm)	Medium
27-30 inches (6.8 - 7.6 cm)	Large

Lineman's Climbing Accessories

Klein offers a variety of long-lasting Lineman's Climbing Accessories designed for demanding professional use.



Pole Climbers with Gaffs
(Cat. No. CN1972AR)



Tool Bags
(Cat. No. 5180)



Klein Gaff Sharpening Kit
(Cat. No. KG-2)



Canvas Buckets
(Cat. No. 5152S)



Utility Bags
(Cat. No. 5142)

OCCUPATIONAL PROTECTIVE EQUIPMENT

Usage and Warnings for Klein Occupational Protective Equipment (OPE)



Fall Arrest



Positioning



Suspension



Retrieval

These identification symbols indicate that a particular connecting device is appropriate for use **in a fall-arrest system**, where there is danger of falling from an elevated position; **in a positioning system**, where it is necessary to have your hands free while working on an elevated surface; **in a suspension system**, where it is necessary to be positioned and supported from above; or **in a retrieval system**, where it is necessary to have a quick means of being lifted out of, or pulled from, a working environment.

* Fall-Arrest harnesses are designed to arrest free falls and distribute impact forces over thighs, pelvis, chest, and shoulders as required by OSHA. Leg, seat, chest, and shoulder straps provide extra comfort in normal use as well as support before, during, and after a fall. These harnesses are compliant with ANSI requirements.

** Fall-Arrest/Positioning harnesses are designed to arrest free falls and distribute impact forces over thighs, pelvis, chest and shoulders as required by OSHA. Leg, seat, chest, and shoulder straps provide extra comfort in normal use as well as support before, during, and after a fall. These harnesses are compliant with ANSI requirements.

	<p>⚠ WARNING</p> <p>A fall could result in serious injury or death. Do not use unless properly trained. Read and follow all instructions and warnings.</p>
---	---

⚠ WARNING: Klein strongly recommends that only Klein components be used with any Klein lineman's equipment. Klein components should NOT be interchanged with other components made by other manufacturers, because Klein cannot guarantee that components made by other manufacturers are properly designed or are free of defects in materials or workmanship.

⚠ WARNING: Klein strongly recommends using fall-arrest protection when working at any elevated position. Therefore, independent fall-arrest equipment should be used in addition to Klein's body belts and positioning straps unless a competent person, as defined by OSHA, has determined that such fall-arrest equipment is not necessary or appropriate.

⚠ WARNING: Klein's lineman's body belts and positioning straps are designed for positioning purposes only, and are not to be used for any other OPE function (such as fall arrest, suspension, or retrieval).

